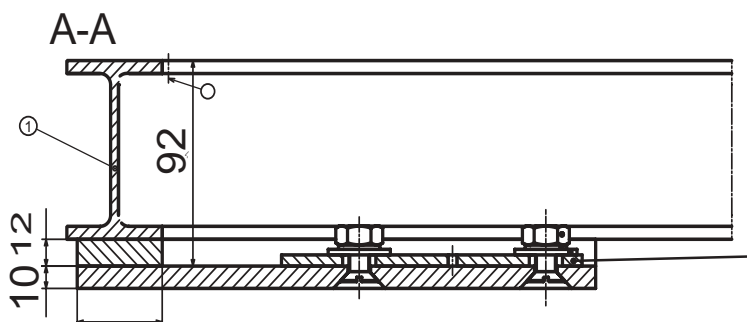
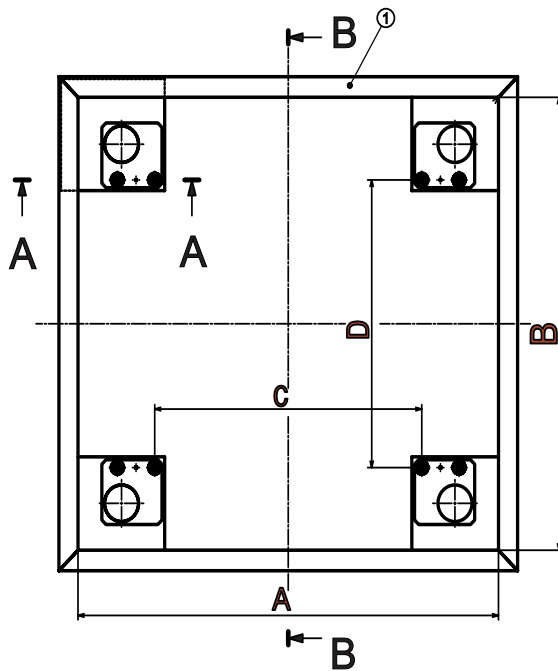
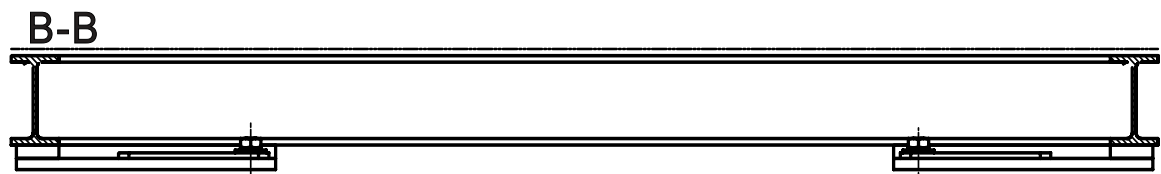




Installation Instructions | Installationsanleitung

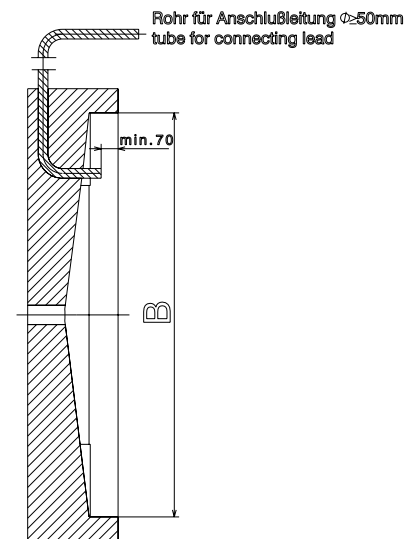
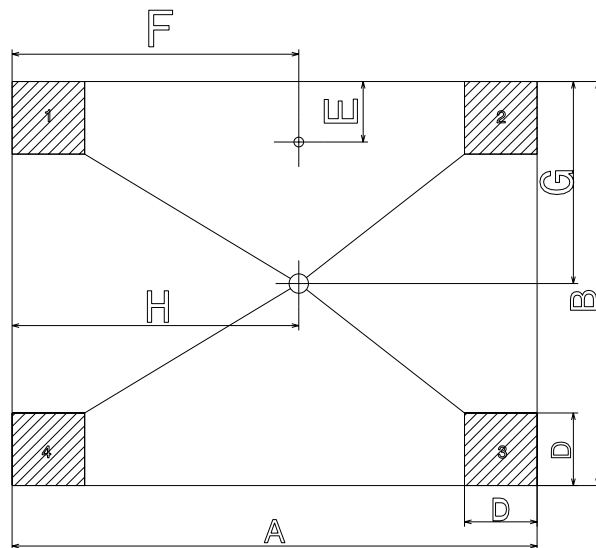
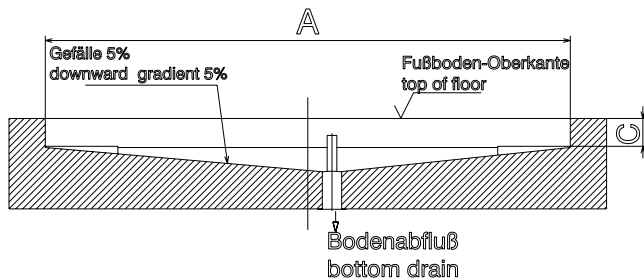
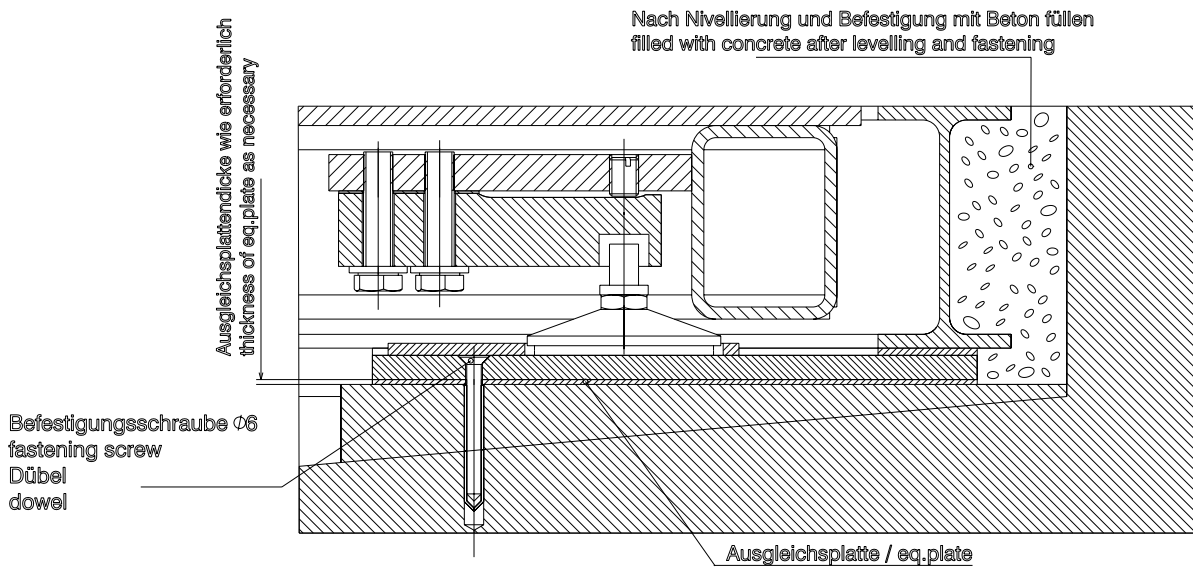
Pit-Frame | Grubenrahmen

for Combics Models | für die Combics Modelle



Material-Nr. / material-no.	Werkstoff / material	Maß / dimension	
		A	B
YEG01CWP	Stahl / steel EN 10025 S235JRG2	814	614
YEG01CWS	Stahl / steel EN 10088-1.4301	814	614
YEG02CWP	Stahl / steel EN 10025 S235JRG2	1014	1014
YEG02CWS	Stahl / steel EN 10088-1.4301	1014	1014
YEG03CWP	Stahl / steel EN 10025 S235JRG2	1264	1014
YEG03CWS	Stahl / steel EN 10088-1.4301	1264	1014
YEG04CWP	Stahl / steel EN 10025 S235JRG2	1514	1264
YEG04CWS	Stahl / steel EN 10088-1.4301	1514	1264
YEG05CWP	Stahl / steel EN 10025 S235JRG2	1514	1514
YEG05CWS	Stahl / steel EN 10088-1.4301	1514	1514
YEG06CWP	Stahl / steel EN 10025 S235JRG2	2014	1514
YEG06CWS	Stahl / steel EN 10088-1.4301	2014	1514
YEG07CWP	Stahl / steel EN 10025 S235JRG2	1014	814
YEG07CWS	Stahl / steel EN 10088-1.4301	1014	814
YEG08CWP	Stahl / steel EN 10025 S235JRG2	814	814
YEG08CWS	Stahl / steel EN 10088-1.4301	814	814
YEG09CWP	Stahl / steel EN 10025 S235JRG2	1264	1264
YEG09CWS	Stahl / steel EN 10088-1.4301	1264	1264

für die Combics Modelle / for Combics Models			Grubenabmessungen [mm] / Pit dimensions [mm]								Ausgleichsplatten / Leveling plates
Typ / Modell/Model	Größe [mm] / Size [mm]	Ausführung / Version	A	B	C	D	E	F	G	H	Länge x Breite [mm] / Length x width [mm]
CAPP1-IG	800x600	verzinkt / galvanized	970	770	160	220	200	485	560	485	150x150
CAPS4-IG	800x600	Edelstahl / Stainless steel	950	750	105	250	175	475	570	475	200x200
CAPP4-II	800x800	lackiert / painted	950	950	105	300	350	725	475	475	250x250
CAPS4-II	800x800	Edelstahl / Stainless steel	950	950	105	300	350	725	475	475	250x250
CAPP4-LI	1000x800	lackiert / painted	1150	950	105	300	250	800	475	575	250x250
CAPS4-LI	1000x800	Edelstahl / Stainless steel	1150	950	105	300	250	800	475	575	250x250
CAPP4-LL	1000x1000	lackiert / painted	1150	1150	105	300	250	800	575	575	250x250
CAPS4-LL	1000x1000	Edelstahl / Stainless steel	1150	1150	105	300	250	800	575	575	250x250
CAPP4-NL	1250x1000	lackiert / painted	1400	1150	105	300	250	800	575	700	250x250
CAPS4-NL	1250x1000	Edelstahl / Stainless steel	1400	1150	105	300	250	800	575	700	250x250
CAPP4-NN	1250x1250	lackiert / painted	1400	1400	105	300	450	900	700	700	250x250
CAPS4-NN	1250x1250	Edelstahl / Stainless steel	1400	1400	105	300	450	900	700	700	250x250
CAPP4-RN	1500x1250	lackiert / painted	1650	1400	105	300	450	1100	700	825	250x250
CAPS4-RN	1500x1250	Edelstahl / Stainless steel	1650	1400	105	300	450	1100	700	825	250x250
CAPP4-RR	1500x1500	lackiert / painted	1650	1650	105	300	480	1200	825	825	250x250
CAPS4-RR	1500x1500	Edelstahl / Stainless steel	1650	1650	105	300	480	1200	825	825	250x250
CAPP4-WR	2000x1500	lackiert / painted	2170	1670	115	300	250	1185	835	1185	300x300
CAPS4-WR	2000x1500	Edelstahl / Stainless steel	2170	1670	115	300	250	1185	835	1185	300x300



Die Auflageflächen 1-2-3-4 müssen exakt in einer waagerechten Ebene liegen und deren Tragfähigkeit muß jeweils mindestens der Hälfte der maximalen Wägelast entsprechen, z.B. 1500kg für eine Plattform mit max.3000kg
The bearing areas 1-2-3-4 has to be exactly in a horizontal plane and their bearing capacity always has to be at least half of the maximum capacity, e.g. 1500kg for a platform with max. 3000kg

Note:

Before installing a Combics weighing platform in a pit, detach the level indicator holder and the level indicator from the platform if it is a verifiable, EC type-approved model (...0CE).

Hinweis:

Bei Einbau der Combics Wägeplattform in eine Grube, sind der Libellenhalter und die Libelle bei den eichfähigen Modellen (...0CE) vorher abzuschrauben.

Sartorius AG
Weender Landstraße 94-108
37075 Göttingen, Germany

Telefon +49/0551.308.0
Fax +49/0551.308.3289
www.sartorius.com

Copyright by Sartorius AG, Goettingen,
Germany.
All rights reserved. No part of this
publication may be reprinted or translated
in any form or by any means
without the prior written permission of
Sartorius AG.
The status of the information,
specifications and illustrations in this
manual is indicated by the date
given below. Sartorius AG reserves the
right to make changes to the technology,
features, specifications and design of the
equipment without notice.

Status:
October 2004, Sartorius AG, Goettingen,
Germany